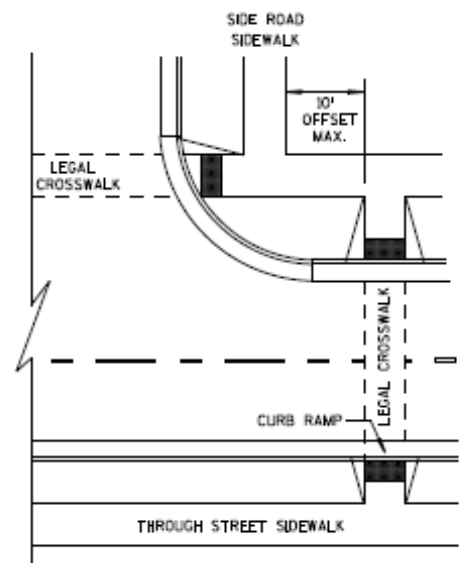
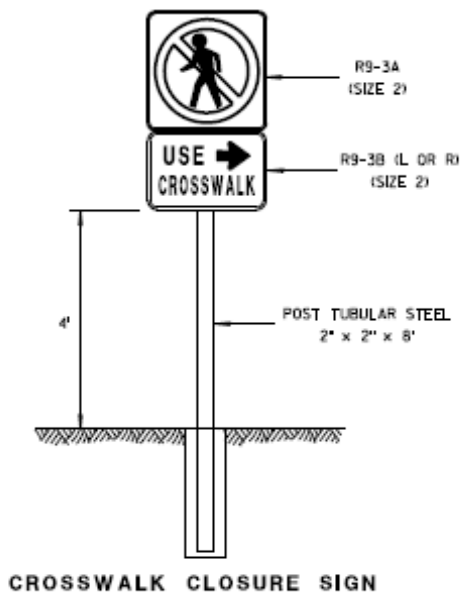


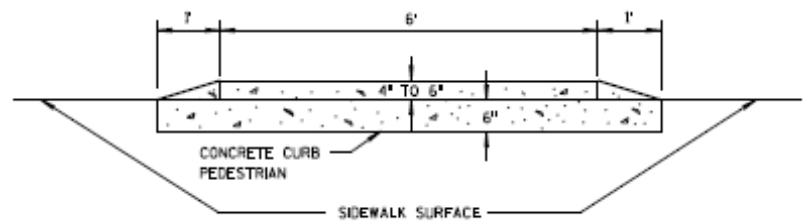
LEGAL CROSSWALK LAYOUT
FIGURE 1



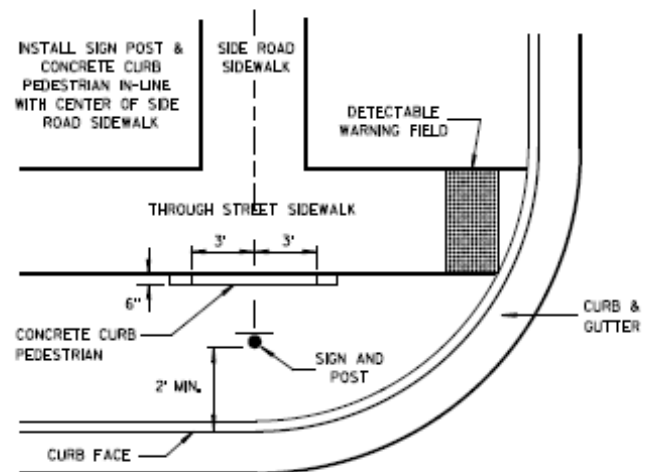
SIDEWALK TO CROSSWALK OFFSET
FIGURE 2



CROSSWALK CLOSURE SIGN
FIGURE 3



CONCRETE CURB PEDESTRIAN DETAIL
CURB ELEVATION VIEW



CURB AND SIGN LOCATION DETAIL
FIGURE 4

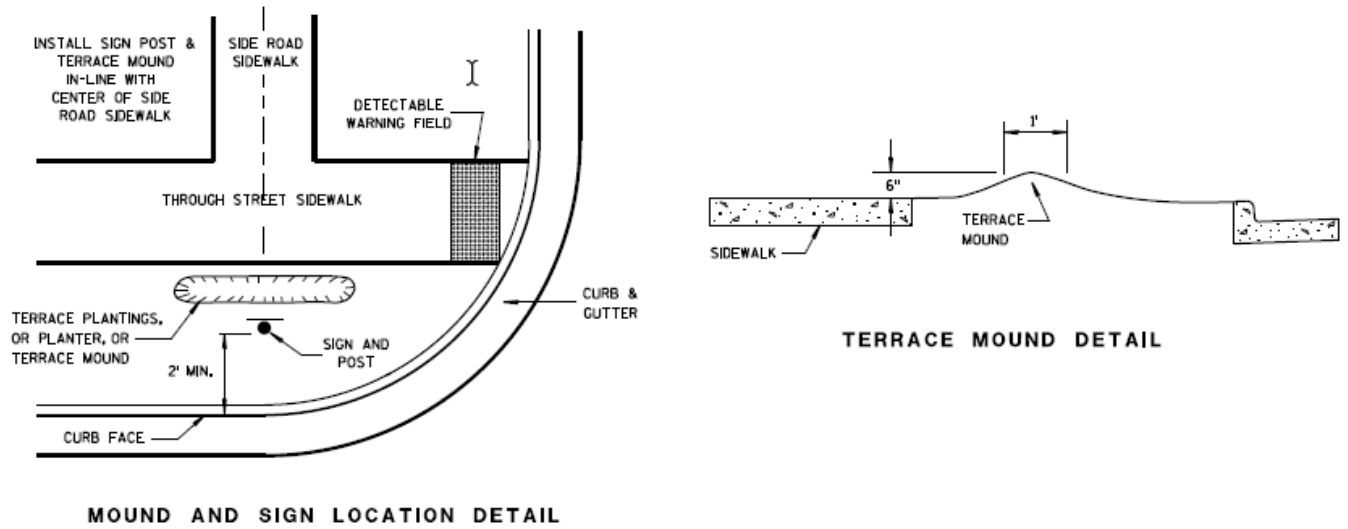


FIGURE 5

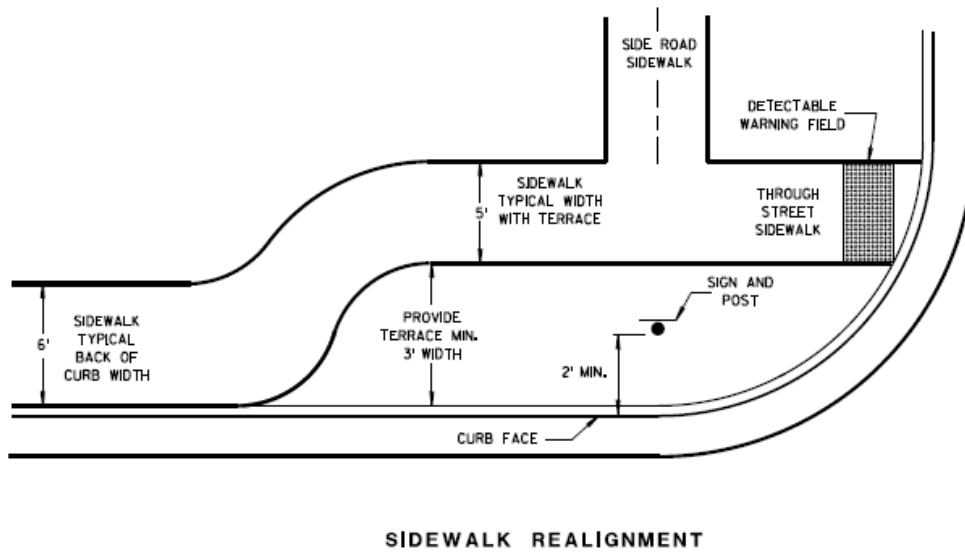


FIGURE 6